



## SLATE | SMOOTH

A 23 5/8" - 78 3/4" | B 15 3/4" - 23 5/8"



Resin+Mineral fillers+Coating

5 YEARS GUARANTEE

Resistant to hydrolysis

High Coating resistance.

SUPERIOR HARDNESS coating

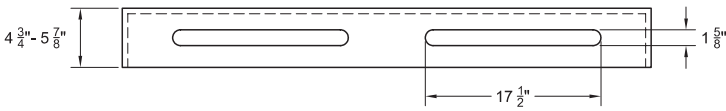
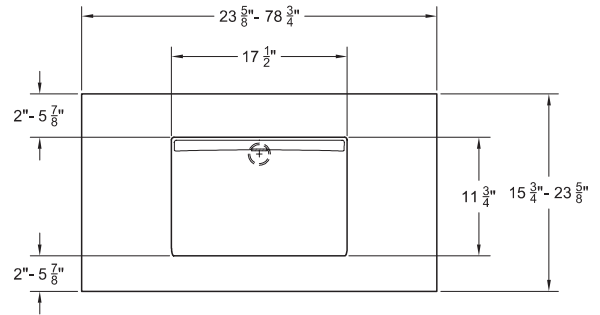
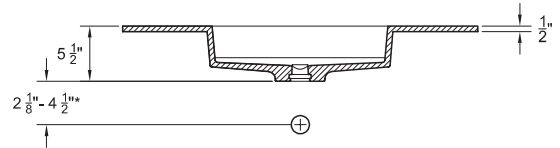
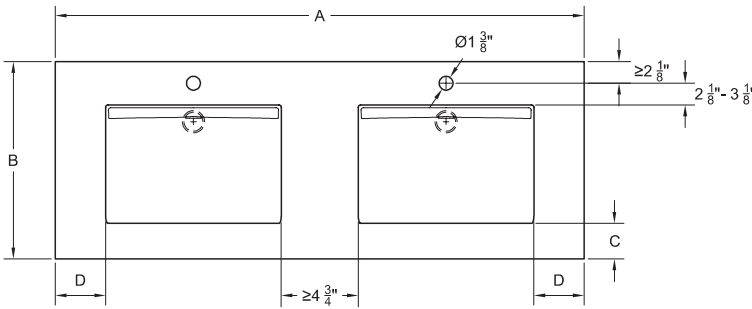
Anti-bacterial treatment

Consult installation manual.

Cut to size

Sinks are in compliance with the CSA B45.5-22/IAPMO Z124-2022 standard. Mass Code Approved.

Technical specifications are subject to change without notice. Dimensional tolerances +/- 3/16"



inches	1 SINK		2 SINKS		1 SINK		2 SINKS	
	TOP OF VANITY				WALL MOUNTED			
	No Taphole	With Taphole	No Taphole	With Taphole	No Taphole	With Taphole	No Taphole	With Taphole
A	23 5/8" - 78 3/4"	23 5/8" - 78 3/4"	43 3/4" - 78 3/4"	43 3/4" - 78 3/4"	23 5/8" - 78 3/4"	23 5/8" - 78 3/4"	45 1/8" - 78 3/4"	45 1/8" - 78 3/4"
B	15 3/4" - 23 5/8"	18 1/8" - 23 5/8"	15 3/4" - 23 5/8"	18 1/8" - 23 5/8"	15 3/4" - 23 5/8"	18 1/8" - 23 5/8"	15 3/4" - 23 5/8"	18 1/8" - 23 5/8"
C	2" - 5 7/8"	≥ 2"	2" - 5 7/8"	≥ 2"	2" - 5 7/8"	≥ 2"	2" - 5 7/8"	≥ 2"
D	≥ 2"	≥ 2"	≥ 2"	≥ 2"	≥ 2 3/4"	≥ 2 3/4"	≥ 2 3/4"	≥ 2 3/4"

Lb/in	TOP OF VANITY	WALL MOUNTED
1 SINK	1,2	1,6
2 SINKS	1,4	1,8

### STANDARD COLORS



### ACCESSORIES

**Backsplash - Sidesplash**

Supplied with silicone cartridge in the same color as the sink in standard and special colors. No RAL available.

Thickness: 3/16"

Height: 3/8" - 13 3/4"

**Towel rack**

In option

FREE-FLOW DRAIN INCLUDED FOR HIDDEN POSITION

FAUCET HOLE AND OVERFLOW AVAILABLE ON REQUEST WITH NO EXTRA COST

WALL BRACKETS AND FIXINGS INCLUDED

